

High power, 2 way line array column speaker is designed to limit vertical dispersion and focus directivity at the target listening area. It is a linear source made with 8 nos 4" speakers and 2 nos piezo tweeters mounted in close proximity. Ideal for long throw in places like auditoria, schools, churches, malls, parking areas, and other locations where distant reach is required, or the background noise level is high. The characteristic directivity of the long column should reduce unwanted reflections, limit feedback, and enhance sound clarity in reverberant spaces and difficult acoustic environments.

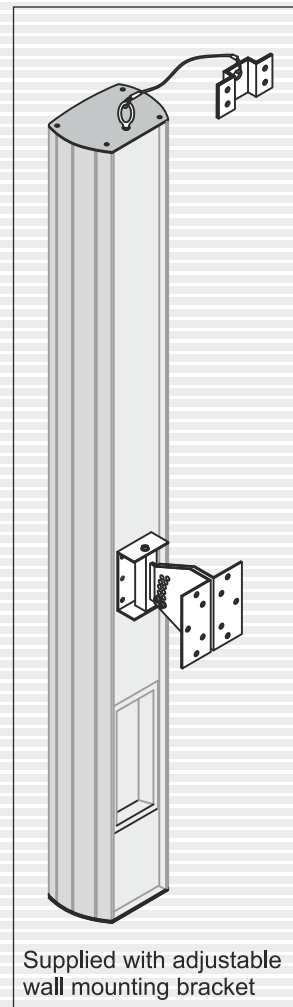
The high power rating of 200 watts enables highly audible and intelligible speech over long distances. The high quality speakers and 2 way design enables a wide frequency spectrum, and make this column also ideal for music. Can be used on its own or with a subwoofer for high end music programmes.

The housing is made from strong extruded aluminium section, combining fashionable good looks with strength and robustness. A sturdy wall mount bracket is supplied along with, allowing the column to be tilted at various angles.

Height 1260mm (1.26 Meters)

#### SPECIFICATIONS

<b>INPUT POWER</b>	200W RMS
<b>CONFIGURATION</b>	Two Way
<b>FREQ. RESPONSE</b>	100-20,000Hz
<b>SPL at (1W/1m)</b>	95dB
<b>NOMINAL IMPEDANCE</b>	8Ω
<b>SPEAKERS</b>	Woofer 8 × 101.6mm (4") Tweeter 2 × 85mm square piezo tweeter
<b>DIMENSIONS</b>	W150 × H1260 × D115 mm
<b>WEIGHT (w/o bracket)</b>	13.00kg



Supplied with adjustable wall mounting bracket



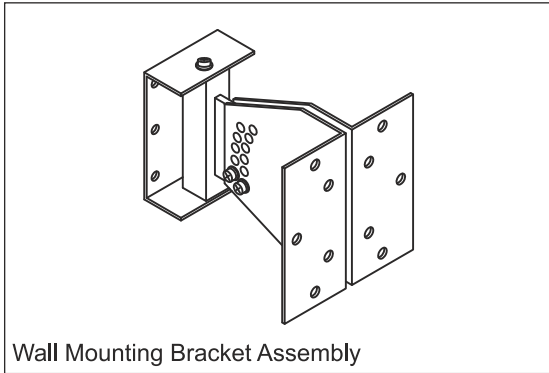
Design and Specifications are subject to change without notice. • AHUJA is a registered trademark of Ahuja Radios in India and other countries.  
© Copyright Ahuja Radios, 2012. All rights reserved. Any unauthorized reproduction or use of logos, images or design elements is strictly prohibited by law.  
No part of the compilation may be reproduced in any manner or translated without written permission.

**TRUSOUND PVT. LTD.** • C-89, Sector IV, Noida, Gautam Budh Nagar-201 301 (UP)  
Regd. Office : 125E, Okhla Industrial Estate, New Delhi-110 020  
Tel.: +91-120-4665665 Fax : +91-120-4665621  
E-mail: trusoundsupport@airtelmail.in

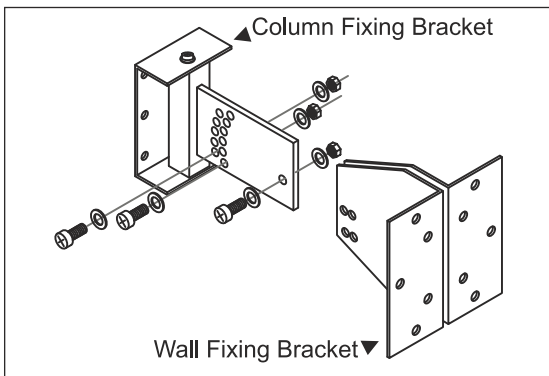
06/12/09/R1

# Mounting Arrangement

**Step-1:** Remove the wall mounting bracket assembly from its packing.

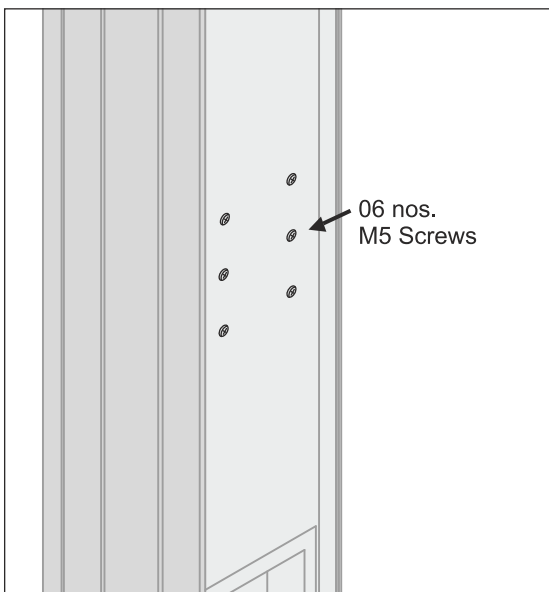


**Step-2:** Remove 3 nos. of allen bolt so that the wall mounting bracket assembly is split in two parts i.e., wall fixing bracket & column fixing bracket.

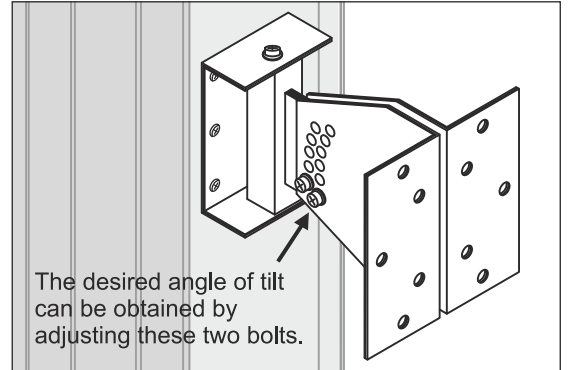


**Step-3:** Fix the wall fixing bracket at the desired location on the wall by using proper hardware.

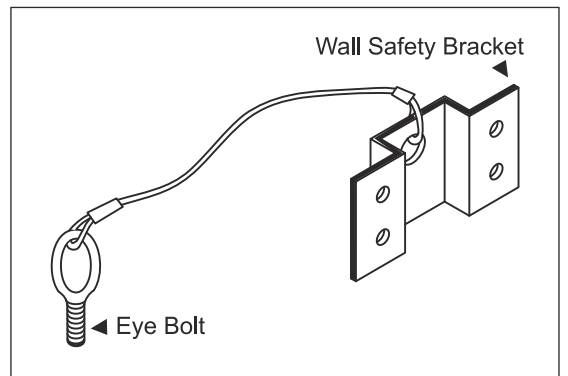
**Step-4:** Take out the column speaker & remove 6 nos. of M5 screws from the sound column.



**Step-5:** Fit the column fixing bracket on the column speaker using the six M5 screws as removed in Step-4. Now mount the column speaker by inserting the column fixing bracket inside the wall fixing bracket & tighten them together with three allen bolts as removed in Step-2.

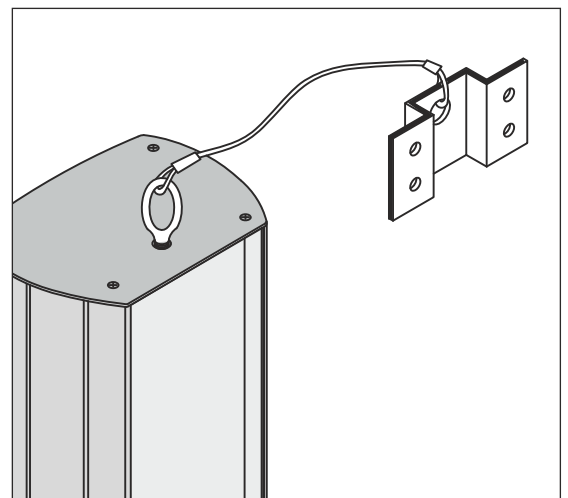


**Step-6:** Remove the wall safety bracket assembly from its packing.



**Step-7:** Tighten the eye bolt on the top cover of the column speaker.

**Step-8:** Now fix the wall safety bracket at the desired location on the wall by using proper hardware.



**CAUTION:** Check all hardware carefully and ensure that all screws and bolts are securely fastened.